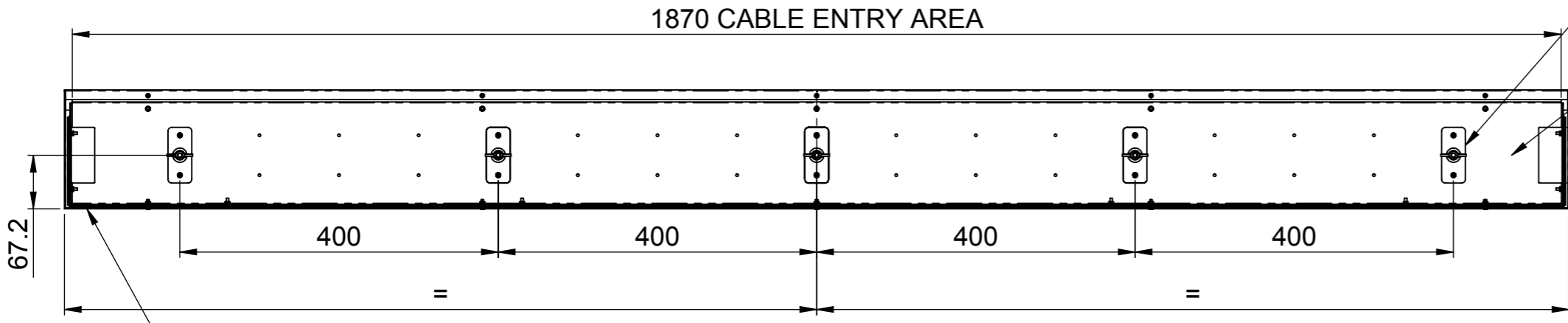


DEPTH 117.5
WITH M6 STUDS
ATTACHED

QUANTITY AND POSITION OF
FIXING STRAPS CAN BE SET
TO HOLE CENTRES SPECIFIED

NOTE:
MINIMUM 14 mm dia HOLE
(CABLE ENTRY)
CAN BE PUT ANYWHERE
IN THE DEFINED AREA



TOP FACE

MATERIAL: GALVANISE & GRADE 316 SATIN ST/ST - 30 x 149 x 2000Lg

QUANTITY: 2 PER LIFT

FINISH: POLISHED

	INTERNATIONAL LIFT EQUIPMENT GROUP WANLIP ROAD, SYSTON, LEICESTER LE7 1PD. TEL 0116 2690900 FAX 0116 2690939	TITLE : LARGE L.E.D SIDE LIGHT PL0685 2000 x 149 OVERALL FOR : ? ?	PROPRIETARY AND CONFIDENTIAL THE INFORMATION CONTAINED IN THIS DRAWING IS THE SOLE PROPERTY OF INTERNATIONAL LIFT EQUIPMENT GROUP . ANY REPRODUCTION IN PART OR AS A WHOLE WITHOUT WRITTEN PERMISSION IS PROHIBITED	UNLESS OTHERWISE SPECIFIED DIMENSIONS ARE IN MILLIMETERS GENERAL TOLERANCES FOR SHEET METAL PARTS : ± 0.5 mm GENERAL TOLERANCES FOR FABRICATED PARTS : ± 1.5 mm	DATE 17/11/2011	WEIGHT 12.2Kg.	W.O. No *
					DRAWN ?	PROJECTION	DRAWING No
					CHECKED JM Soulsby		MECH 103 D18
					SCALE: 1:10		
					DO NOT SCALE DRAWING		